

MODEL PT-89

SPECIFICATIONS

Model PT-89 is a Four (4) tube compact portable battery operated superheterodyne radio with a shoulder strap aerial. Other features included in this model are: Tuning band from 540 to 1600 K. C.; automatic volume control; pentode audio output stage; Low Current drain Philco tubes, and a Permanent Magnet speaker. Neither outside aerial nor ground is necessary with this radio. An especially designed loop antenna is built into the carrying strap.

INTERMEDIATE FREQUENCY: 455 K. C.

BATTERY: Model PT-89 requires one Philco Portable "A" and "B" Pack P-89. To install the battery, slide the latch

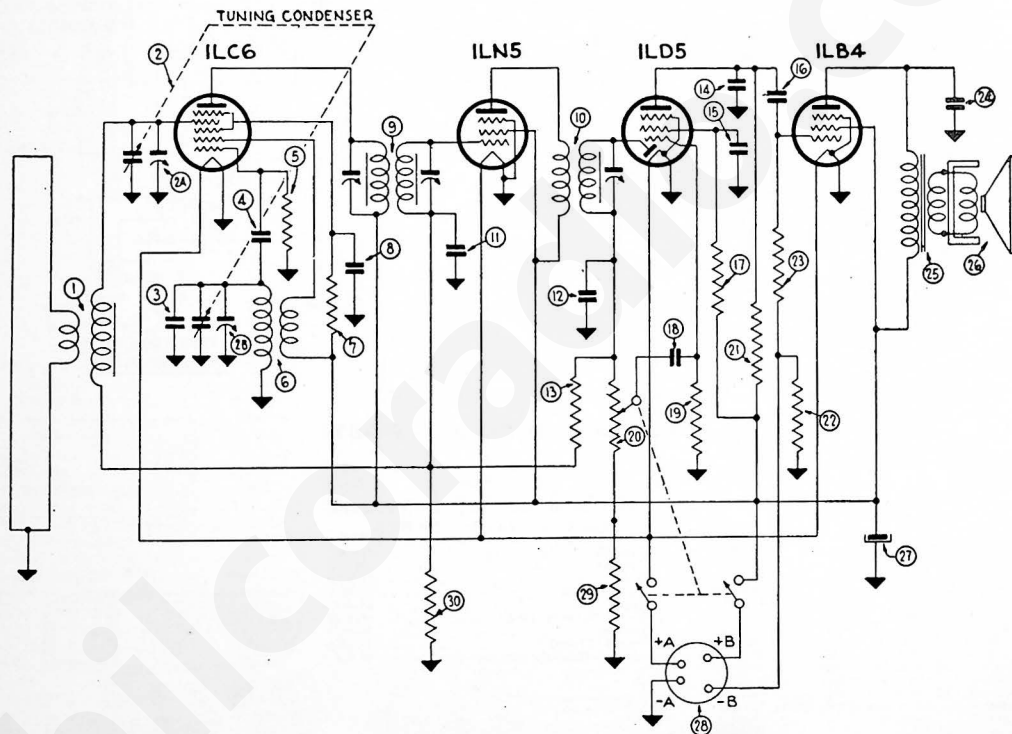
on the end of the cabinet and open the cabinet.

Observe the arrangement of the pins on the plug of the battery cable and the corresponding holes in the socket of the battery, so you will be sure to insert them correctly. Insert the plug into the battery socket facing the chassis. Place cardboard spacer between battery and chassis. Close cabinet and lock latch.

PHILCO TUBES USED: 1-1LC6, 1st Detector and Oscillator; 1-1LN5, I. F. Amplifier; 1-LD5, 2nd Detector, A. F. Amplifier and Automatic Volume Control; and 1-1LB4, Power Output.

ALIGNING PROCEDURE

The aligning procedure for the R. F. and I. F. Compensators will be found on page 47.



VIEW LOOKING AT
BACK OF PLUG

Replacement Parts — Philco Transitone Model PT-89

SCHEM. No.	DESCRIPTION	PART No.	SCHEM. No.	DESCRIPTION	PART No.	SCHEM. No.	DESCRIPTION	PART No.
1	Antenna Transformer	32-3458	16	Tubular Condenser (.004 mf., 400 v.)	30-4578	MISCELLANEOUS PARTS		
2	Tuning Condenser	31-2476	17	Resistor (2.2 megs., ½ watt)	33-522154	Cabinet	10482A	
3	Mica Condenser (10 mmf.)	60-010157	18	Tubular Condenser (.004 mf., 400 v.)	30-4578	Clip (Coil Mtg.)	28-5002	
4	Mica Condenser (100 mmf.)	60-110157	19	Resistor (4.7 megs., ¼ watt)	33-547154	Clamp (Loop)	56-1809	
5	Resistor (220,000 ohms, ¼ watt)	33-422154	20	Volume Control (1 meg.)	33-5410	Knob	27-4997	
6	Oscillator Transformer	32-3518	21	Resistor (1 meg., ¼ watt)	33-510154	Knob	27-4999	
7	Resistor (33,000 ohms, ¼ watt)	33-333154	22	Resistor (470 ohms, ½ watt)	33-147356	Spring (Battery)	56-1807	
8	Tubular Condenser (.01 mf., 400 v.)	30-4572	23	Resistor (4.7 megs., ¼ watt)	33-547154	Socket	27-6138	
9	1st I. F. Transformer	32-3472	24	Mica Condenser (2200 mmf.)	60-222154	Washer (Chassis Mtg.)	W-152	
10	2nd I. F. Transformer	32-3473	25	Output Transformer	32-8114	Screw (Chassis Mtg.)	W-881	
11	Tubular Condenser (.05 mf., 200 v.)	30-4519	26	Speaker	36-1517			
12	Mica Condenser (250 mmf.)	60-125157	27	Cone Assem. (for Spkr. 36-1517-2)	36-4132			
13	Resistor (10 megs., ¼ watt)	33-610154	28	Electrolytic Cond. (10mf., 150v.)	30-2396			
14	Mica Condenser (100 mmf.)	60-110157	29	Battery Cable	41-3545			
15	Tubular Condenser (.05 mf. 200 v.)	30-4519	30	Resistor 6800 ohms, ½ watt)	33-268344			
				Resistor (4.7 megs., ¼ watt)	33-547154			